

MARS 1200

TECHNICAL DATA



HIGHLIGHTS

- Compact design enabling trouble-free installation and relocation
- V-shaped table top
- Sloped front
- Excellent light distribution
- Electrical sliding front window
- Easy window cleaning on both sides

For more information please visit www.labogene.com

Details

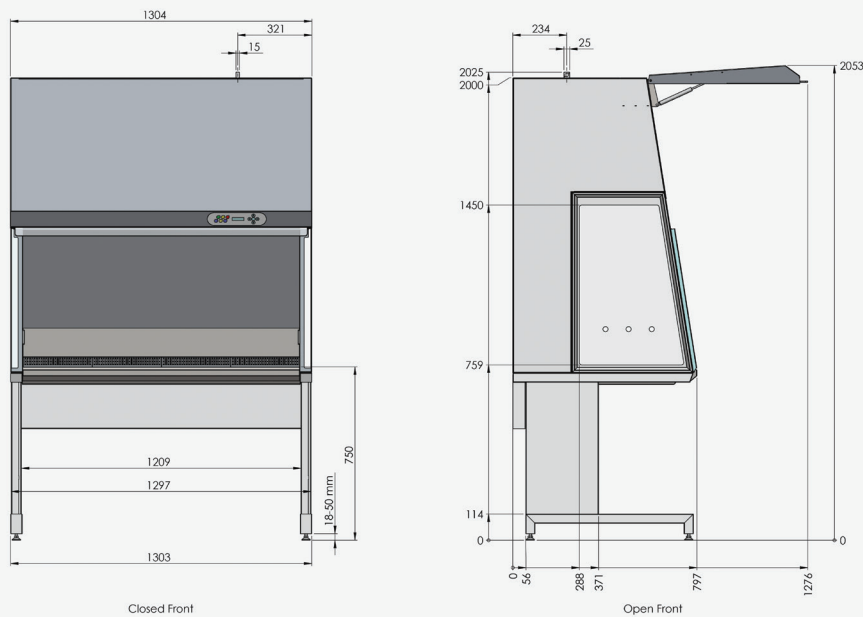
Product family	MARS
Model:	1200
Product type	Class II Biological Safety Cabinet according to EN 12469
Certificates	None
Compliance with	EN 12469, EN 61010-1, EN 61000-6, EN 11201
e-catalogue classification (UNSPSC code)	411035 Laminar flow cabinets or stations

General specifications	Unit		Note
Sound Pressure Level at factory settings	dB(A)	≤47	According to EN 11201.
Sound Pressure Level in Eco-Save mode	dB(A)	≤37	Optional automatic mode shift available
Down flow, Air velocity	m/s	0,28±0,01	Factory setting according to EN 12469
Inflow, Air velocity	m/s	0,45	Factory setting according to EN 12469
Exhaust, Air flow rate	m³/h	389	Factory setting according to EN 12469
Light illuminance (flourescent tube)	Lux	> 2000	Optionale dimmable version available
Front Opening (height)	mm	200	Factory setting (adjustable between 0-300mm)
Number of table top segments		4	Customized layout and accessories upon request
Filter construction in accordance with EN 1822-1		2-filter system, HEPA, at least Class H14	Class U17 available with MARS PRO 3-filter version
Table top and trough material		AISI 304 stainless steel	
Table top max. total load	kg	100	
Side glass material		5 mm hardened glass w. 3 x ø22mm holes	Other hole options available
Front glass material		6mm laminated safety glass	Optional antireflex coating available
Cabinet and backwall material/colour		Polyester coated steel/RAL 9016	Other RAL colours available upon request

Dimensions	Unit		Note
External dimensions with adjustable stand (Std. height) (DxWxH)	mm	797 x 1304 x 2033	See drawing for details. Can pass through a standard door opening size 9x21M. Stand is available as an option
Table top height with adjustable Stand (Std. height)	mm	750 (Range 745-780)	2 additional stand heights available as options
External dimensions with elec. elevation stand (DxWxH)	mm	797 x 1304 X 2025-2325	Available as an option
Table top height with elec. elevation stand	mm	750-1050	
Work chamber dimensions (DxWxH)	mm	650x1200x700	
Net weight	kg	192	
Shipping Volume	m³	Approx. 2,9	

MARS 1200

TECHNICAL DATA



Electrical data	Unit		Note
Rated AC Voltage/frequency	V/Hz	220-240/50-60	Other voltages available
Rated max. current (fuse)	A	10	
Power outlet(s) max. total current (fuse)	A	6,3	The sum of all power outlets
Type of power outlet socket, pair, left & right side		DK - type K (IP44)	Other types available. Select between 9 different regional types
Typical power consumption excl. power outlets	VA/Watt	126/116	At factory setting and normal operation
Typical power consumption in Eco-Save mode	VA/Watt	37/30	
Type of mains connection		3pin male AC power socket	Top mounted, left or right side

Additional available options	Unit		Note
Electrical elevation - Worktop height range	mm	745-1050	
LED light		Excellent neutral white light distribution 1500Lux/4000K	Optionale dimmable version available
UV-C sterilisation		Easy and fast decontamination	
Extra Power outlets, pair, left & right side		Select between 9 different regional types	
Antiblow back valve straight Ø 200 mm			
Antiblow back valve side Ø 200 mm			
Programmable output module for external control purposes		4 sets of potential less contacts	
Hydrogen Peroxide Vapour (VHP) Decontamination valves			

LaboGene ApS is Certified according to EN/ISO 9001 UKAS
 LaboGene ApS owns the copyright of this data sheet. Subject to technical changes.
 Illustrations and photos may contain options and modifications not supplied as standard.

LaboGene ApS
 Industrivej 6-8
 DK-3540 Lyngø

Tel (+45) 3940 2566
 Fax (+45) 3995 2566
 Mail info@labogene.com
 Web www.labogene.com



001